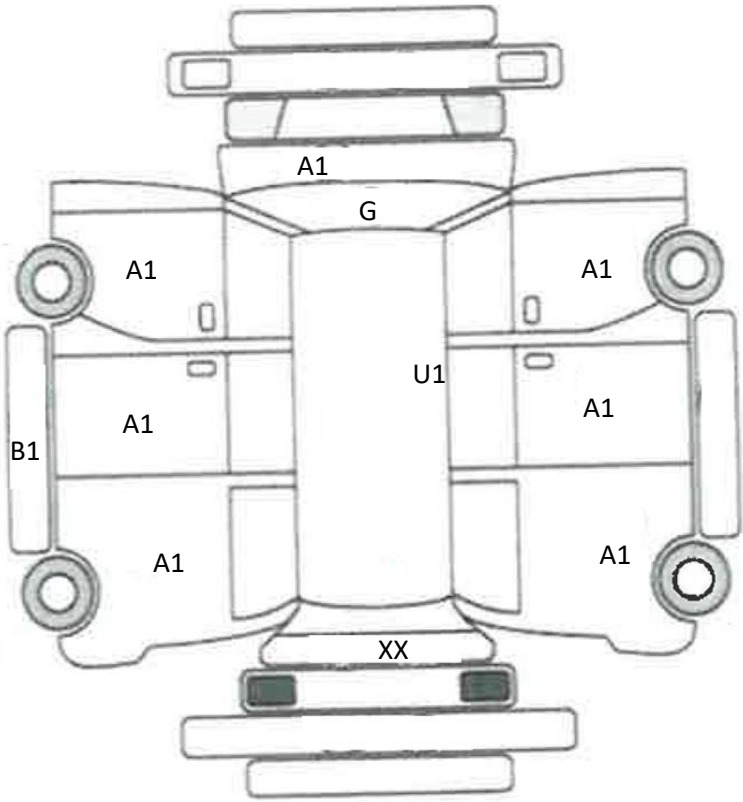


DATE
2024/4/6

Car Number	Chassis Number
F18-C38	KSP160-0025073



(Remark)

A(Scratch)    U(Dent)    S(Rust)    W(Uneven paint)    X(Crack)    C(Corrode)    P(Paint Faded)  
 XX(Replacement)    X(Replacement requires)    G(Stone chip in the glass)    Scale: 1 < 2 < 3 < 4